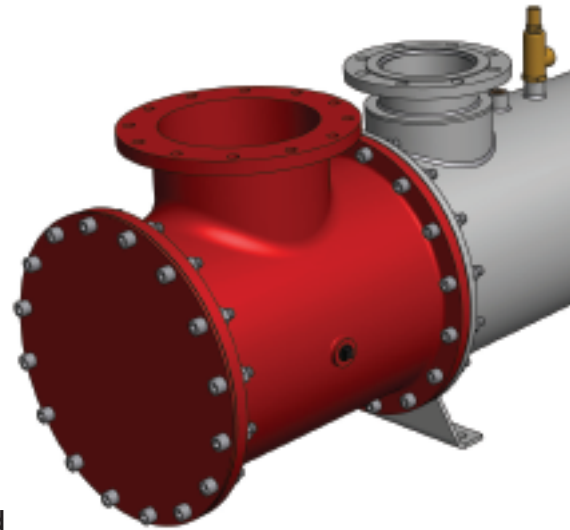


NEW 15" Exhaust Gas Heat Exchanger

NEW
NEW
NEW
NEW
NEW

Bowman has extended the range of exhaust gas heat exchangers to incorporate a 15" diameter unit that is capable of recovering waste energy from engines rated in excess of 1mw.

The complete range is also being modified to include right angled end covers, as can be seen on the reverse. The end covers are fitted with a plate on each end allowing easy access to the heat exchanger tubes for cleaning and maintenance.



Type	Gen Set rating		Performance		
	Typical Engine Power kW	Exhaust gas flow kg/min	Exhaust gas outlet temp °C	Heat recovery kW	Exhaust gas pressure drop kPa
2-25-5837-4	16	1.2	210	9.5	2.4
2-32-5837-5	16	1.2	170	10.5	2.8
3-32-5838-5	32	2.4	210	19	2.4
3-40-5838-6	32	2.4	170	21	2.8
3-60-5838-8	32	2.4	120	23	3.4
4-32-5839-5	60	4.5	210	35	2.2
4-40-5839-6	60	4.5	170	39	2.4
4-60-5839-8	60	4.5	120	43	3.0
5-32-5840-5	90	6.7	210	52	2.1
5-40-5840-6	90	6.7	170	57	2.4
5-60-5840-8	90	6.7	120	66	2.9
6-32-5841-5	140	10.5	210	82	2.2
6-40-5841-6	140	10.5	170	90	2.4
6-60-5841-8	140	10.5	120	101	3.0
8-32-5842-5	250	18.7	210	147	2.3
8-40-5842-6	250	18.7	170	160	2.5
8-60-5842-8	250	18.7	120	181	3.0
10-32-5843-5	400	30.0	210	236	2.4
10-40-5843-6	400	30.0	170	256	2.6
10-60-5843-8	400	30.0	120	288	3.1
12-32-5844-5	600	45.0	210	353	2.3
12-40-5844-6	600	45.0	170	380	2.5
12-60-5844-8	600	45.0	120	425	3.1
15-40-5845-6	1000	70.0	170	641	2.6
15-60-5845-8	1000	70.0	120	724	3.1

For larger sizes contact our sales department.

100kPa-1 bar

Maximum working gas side pressure 0.5 bar
Maximum working water side pressure 4 bar

Maximum working gas side temperature 700°C
Maximum working water side temperature 110°C

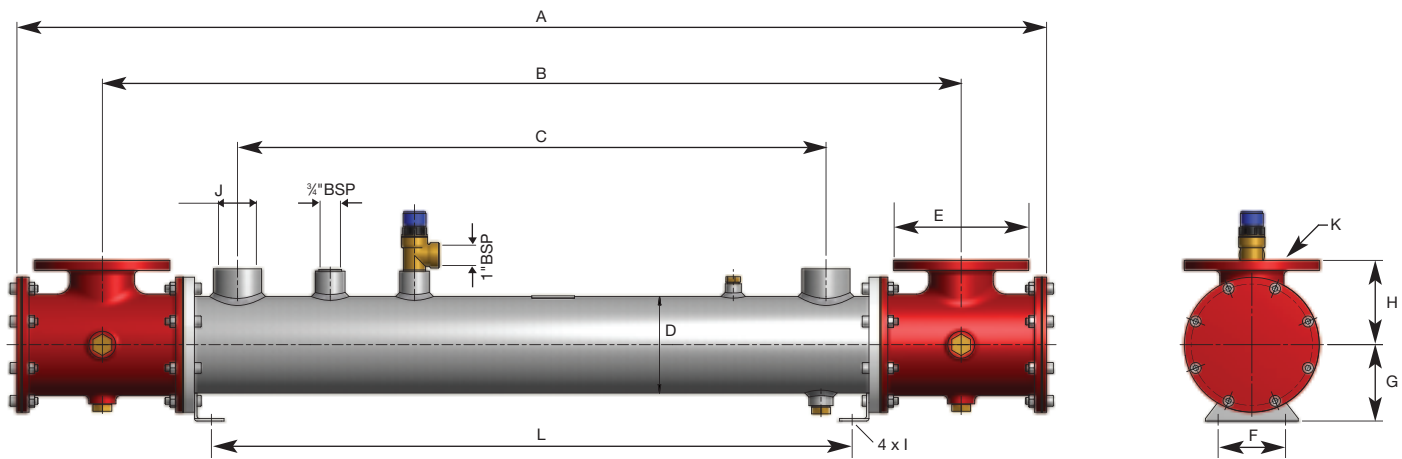


E. J. Bowman (Birmingham) Limited

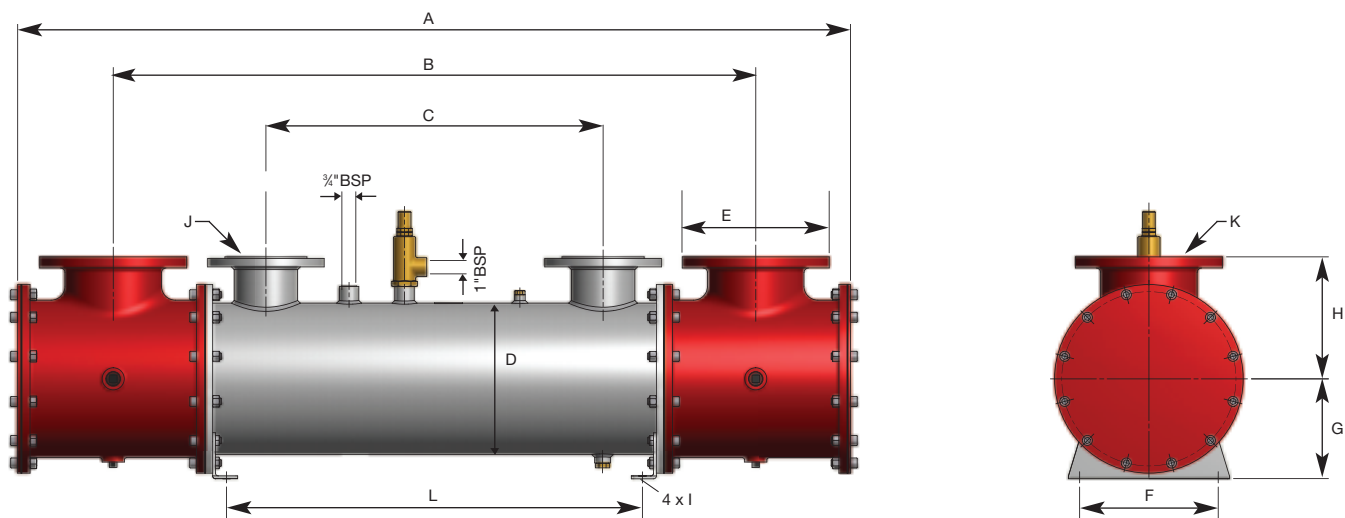
Chester Street, Birmingham, B6 4AP, UK

Telephone: +44 (0) 121 359 5401 Facsimile: +44 (0) 121 359 7495

E-mail: info@ejbowman.co.uk Web Address: www.ejbowman.co.uk



Part No.	A	B	C	D	E	F	G	H	I	J	K	L	kg
2-25-5837-4	mm	mm	mm	mm	mm	mm	mm	mm	mm	BSP	PN6 Flange	mm	
2-32-5837-5	922	774	540	60.3	100	75	83	75	9	3/4"	DN25*	584	13
3-32-5838-5	1100	952	718	60.3	100	75	83	75	9	3/4"	DN25*	762	16
3-40-5838-6	1200	1002	718	89	140	60	75	85	9	1"	DN50*	762	24
3-60-5838-8	1402	1204	920	89	140	60	75	85	9	1"	DN50*	964	27
4-32-5839-5	1910	1712	1428	89	140	60	75	85	9	1"	DN50*	1472	33
4-40-5839-6	1238	1018	698	114	160	80	90	100	9	1 1/2"	DN65*	762	33
4-60-5839-8	1440	1220	900	114	160	80	90	100	9	1 1/2"	DN65*	964	37
5-32-5840-5	1948	1728	1408	114	160	80	90	100	9	1 1/2"	DN65*	1472	51
5-40-5840-6	1304	1052	688	141	190	100	105	120	11	2"	DN80*	762	50
5-60-5840-8	1506	1254	890	141	190	100	105	120	11	2"	DN80*	964	54
6-60-5840-8	2014	1762	1398	141	190	100	105	120	11	2"	DN80*	1472	62



Part No.	A	B	C	D	E	F	G	H	I	J	K	L	kg
6-32-5841-5	mm	mm	mm	mm	mm	mm	mm	mm	mm	PN6 Flange	PN6 Flange	mm	
6-40-5841-6	1364	1082	668	168	210	130	120	140	11	DN60*	DN100*	762	68
6-60-5841-8	1566	1284	870	168	210	130	120	140	11	DN60*	DN100*	964	70
8-32-5842-5	2074	1792	1378	168	210	130	120	140	11	DN60*	DN100*	1472	92
8-40-5842-6	1428	1112	648	219	240	180	150	180	14	DN80*	DN125*	752	116
8-60-5842-8	1630	1314	850	219	240	180	150	180	14	DN80*	DN125*	954	129
10-32-5843-5	2138	1822	1358	219	240	180	150	180	14	DN80*	DN125*	1462	147
10-40-5843-6	1528	1162	608	273	265	250	180	220	14	DN100*	DN150*	752	173
10-60-5843-8	1730	1364	810	273	265	250	180	220	14	DN100*	DN150*	954	186
12-32-5844-5	2238	1872	1318	273	265	250	180	220	14	DN100*	DN150*	1462	222
12-40-5844-6	1716	1252	538	324	320	300	220	270	18	DN150*	DN200*	738	260
12-60-5844-8	1534	1454	740	324	320	300	220	270	18	DN150*	DN200*	940	278
15-40-5845-6	2042	1962	1248	324	320	300	220	270	18	DN150*	DN200*	1448	320
15-60-5845-8	2076	1531	680	406.4	375	350	280	330	18	PN16 DN150*	DN250*	928	467
15-60-5845-8	2584	2039	1188	406.4	375	350	280	330	18	PN16 DN150*	DN250*	1436	574

*Flange specification in accordance with BS EN1092 - 1:2007 (BS 4504-6).