

Bowman Inline Plate Heat Exchangers

Proven, effective, trusted

Bowman Inline Plate Heat Exchangers are a compact, economical way to achieve high efficiency heat transfer for a range of applications.

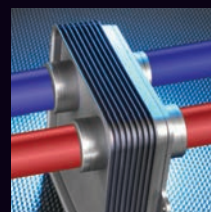
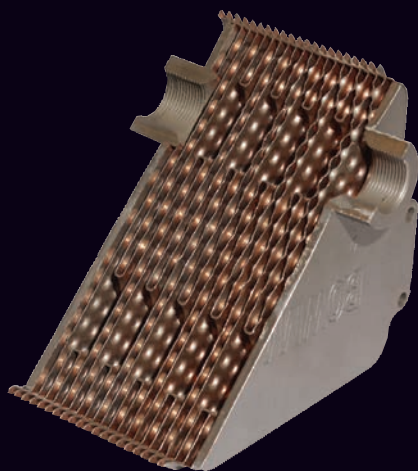
Bowman in-line plate heat exchangers are made up of numerous stainless steel heat transfer plates, plus two outer covers and four connections which are vacuum-brazed together to form an integral unit.

Easier to install

Unlike other plate heat exchangers, Bowman units have a uniquely designed flow arrangement which enables the inlet and outlet connections to be axially inline. This means they can be installed directly into pipework without any change of direction.

Choice of brazing solutions

Whilst the plates of the standard product range are copper brazed, for more demanding or aggressive applications, a fully brazed 316 stainless steel unit is available.



Easy in-line installation

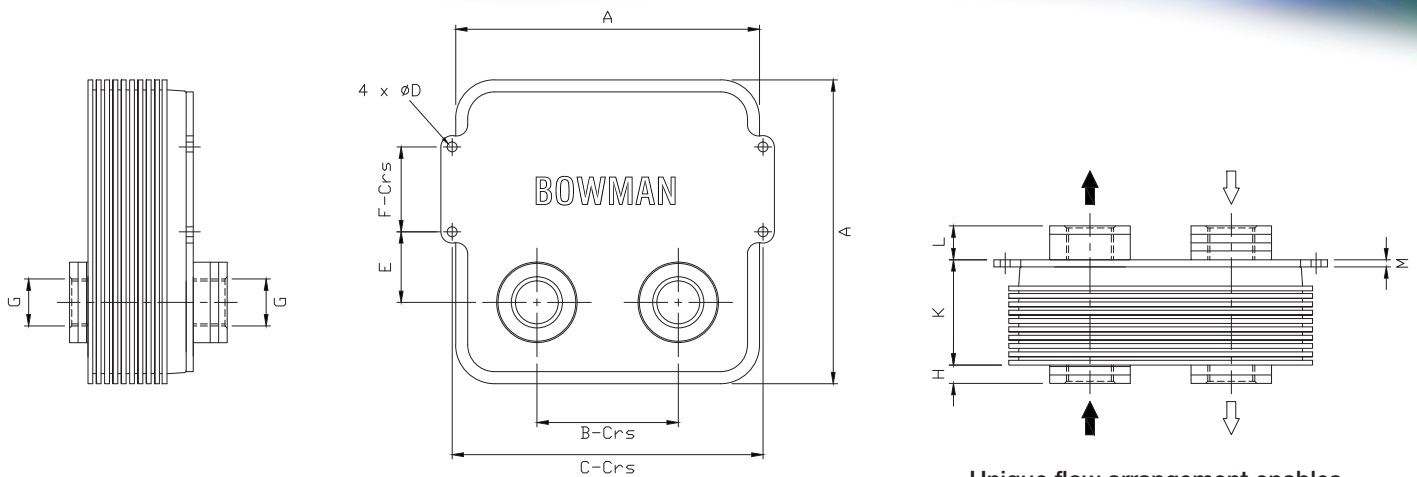
With both inlet and outlet ports situated adjacent to each other, the unit fits simply and neatly into the existing fluid stream, reducing installation costs and eliminating unsightly additional pipe work.



High quality construction

Neat, compact construction, manufactured to Bowman's renowned high standards using high quality 316 stainless steel.

BOWMAN[®]



Unique flow arrangement enables Inlet & Outlet flow to be inline without any change of flow direction.

Models		Dimensions											Weight kg	Volume Per Side Litres
Copper Brazed	Stainless Brazed	A mm	B mm	C mm	D mm	E mm	F mm	G BSP	H mm	K mm	L mm	M mm		
10-5	-	106	50	-	-	25	-	1/2"	11	24	16	3	0.8	0.05
10-9	10-9E	106	50	-	-	25	-	1/2"	11	37	16	3	0.9	0.11
10-13	-	106	50	-	-	25	-	1/2"	11	50	16	3	1.1	0.16
10-17	10-17E	106	50	-	-	25	-	1/2"	11	63	16	3	1.2	0.21
10-21	-	106	50	-	-	25	-	1/2"	11	76	16	3	1.3	0.26
10-25	-	106	50	-	-	25	-	1/2"	11	90	16	3	1.7	0.32
10-29	-	106	50	-	-	25	-	1/2"	11	103	16	3	2.0	0.37
15-5	15-5E	158	75	165	7	37.5	45	3/4"	12	34	20	4	2.5	0.18
15-9	15-9E	158	75	165	7	37.5	45	3/4"	12	54	20	4	2.9	0.36
15-13	15-13E	158	75	165	7	37.5	45	3/4"	12	74	20	4	3.3	0.55
15-17	-	158	75	165	7	37.5	45	3/4"	12	94	20	4	3.7	0.72
15-21	-	158	75	165	7	37.5	45	3/4"	12	112	20	4	4.1	0.90
15-25	15-25E	158	75	165	7	37.5	45	3/4"	12	132	20	4	4.6	1.09
15-29	-	158	75	165	7	37.5	45	3/4"	12	152	20	4	5.0	1.27
20-5	20-5E	215	100	220	7	50	60	1"	12	45	24	5	5.4	0.44
20-9	20-9E	215	100	220	7	50	60	1"	12	71	24	5	6.1	0.88
20-13	20-13E	215	100	220	7	50	60	1"	12	97	24	5	6.8	1.32
20-17	20-17E	215	100	220	7	50	60	1"	12	123	24	5	7.6	1.76
20-21	20-21E	215	100	220	7	50	60	1"	12	149	24	5	8.4	2.20
20-25	20-25E	215	100	220	7	50	60	1"	12	175	24	5	9.2	2.64
20-29	20-29E	215	100	220	7	50	60	1"	12	201	24	5	10.2	3.08
25-29	-	265	125	275	9	62.5	75	1 1/4"	15	249	28	6	18.8	6.02

Maximum working pressure 6 bar
Maximum working temperature 185°C

■ These products have been designed to operate with ethanol based fuels



www.ejbowman.co.uk



BS EN ISO 9001-2008
Reg. No. FM38224